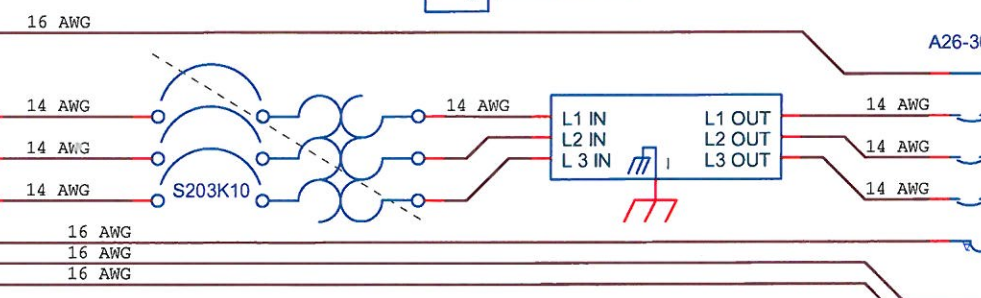
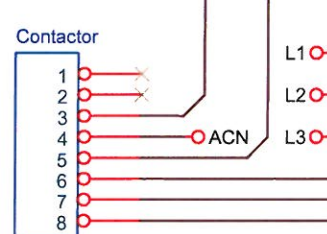
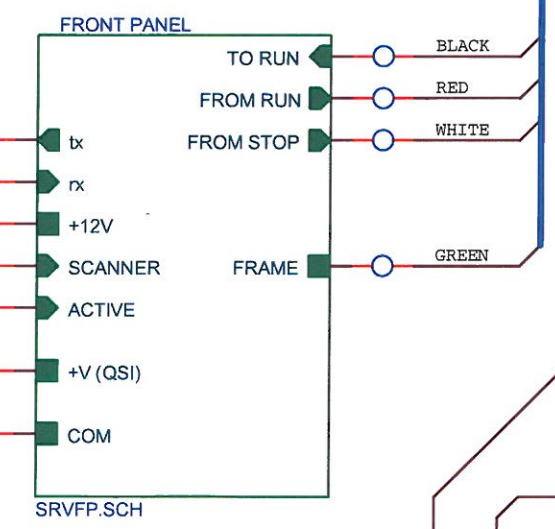
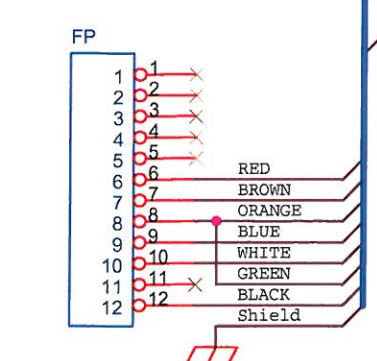
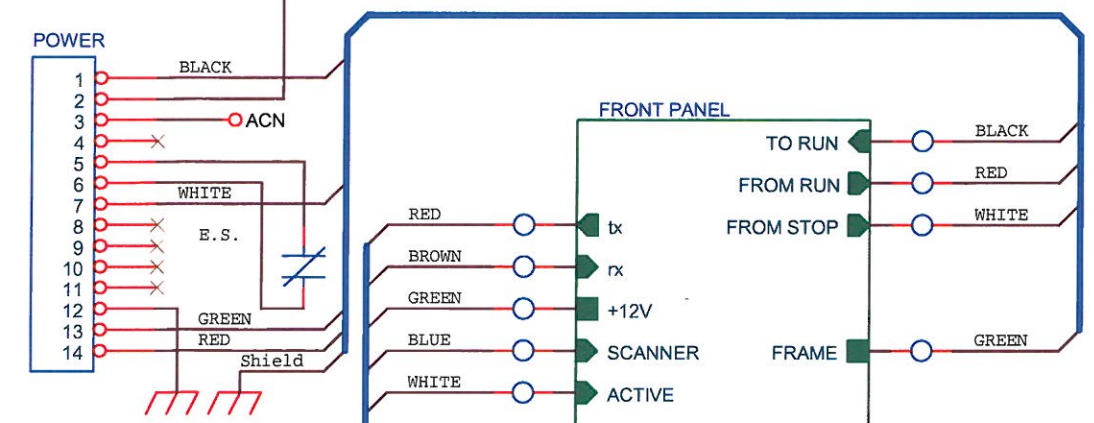
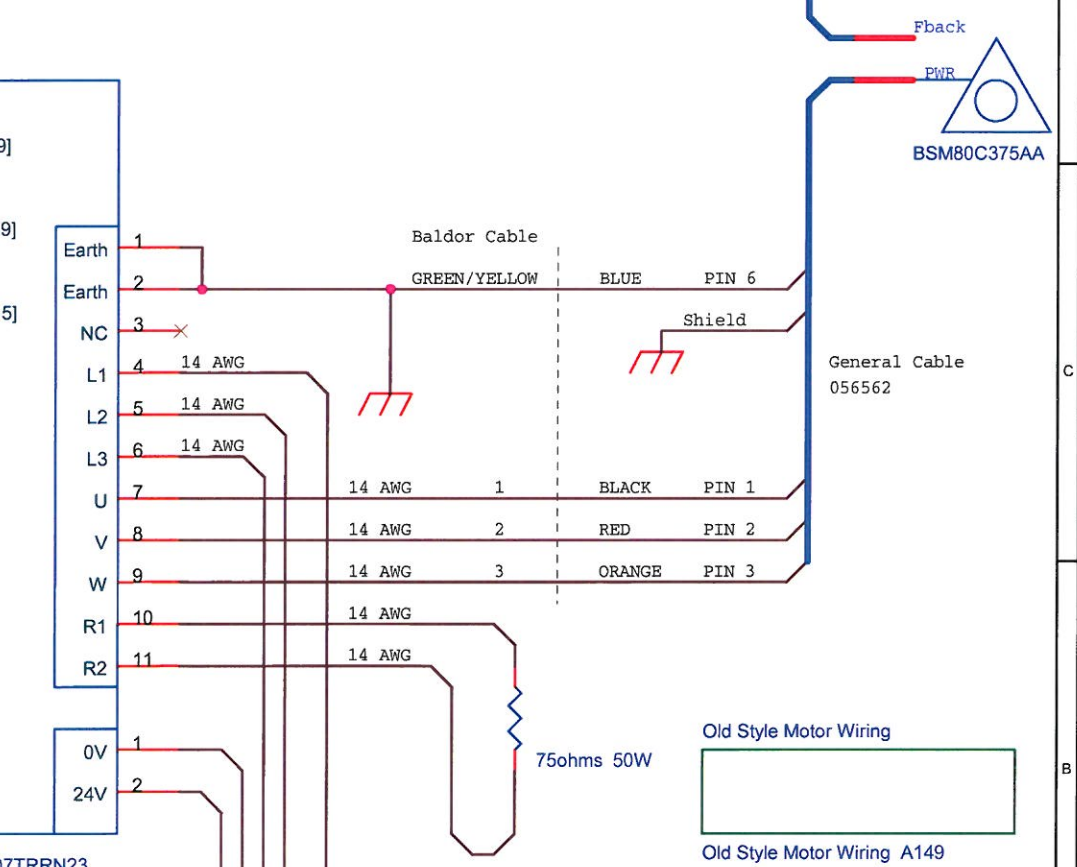
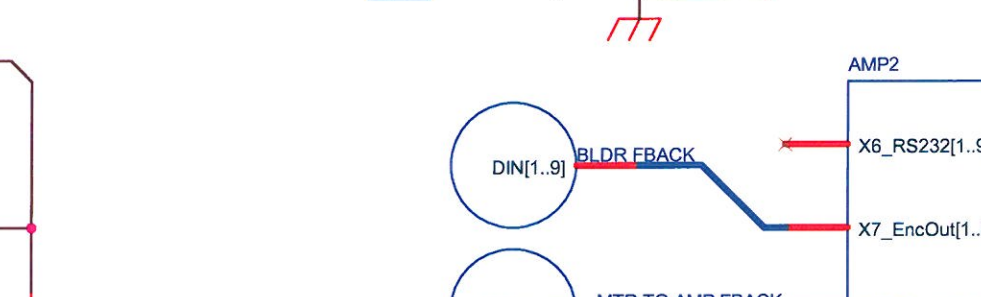
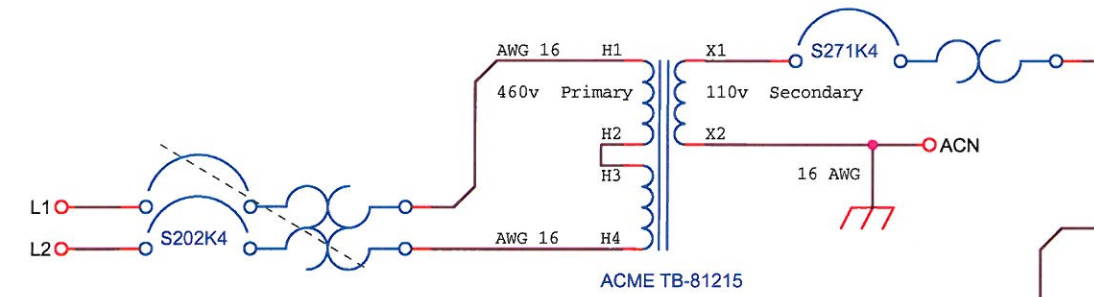
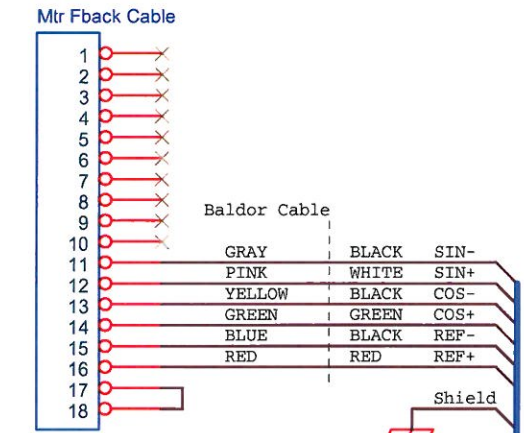
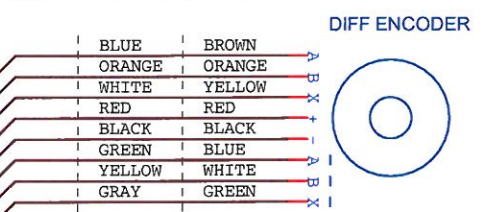
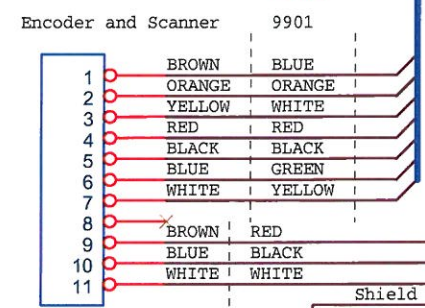
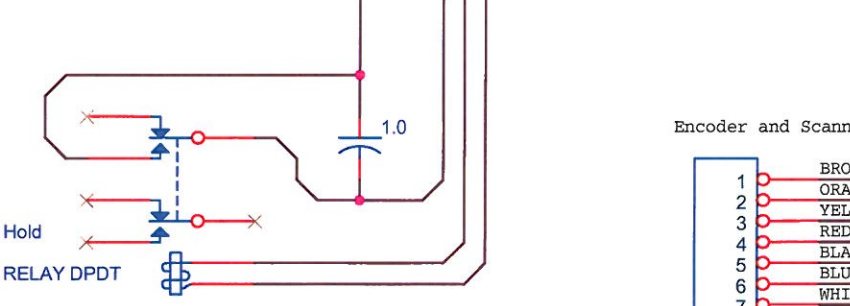
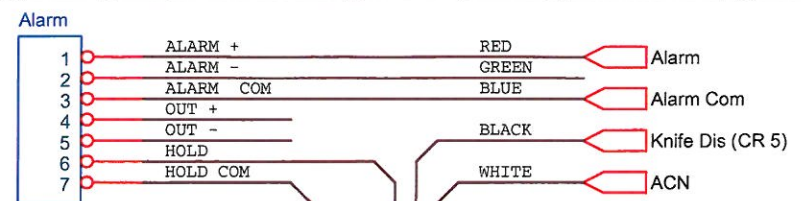
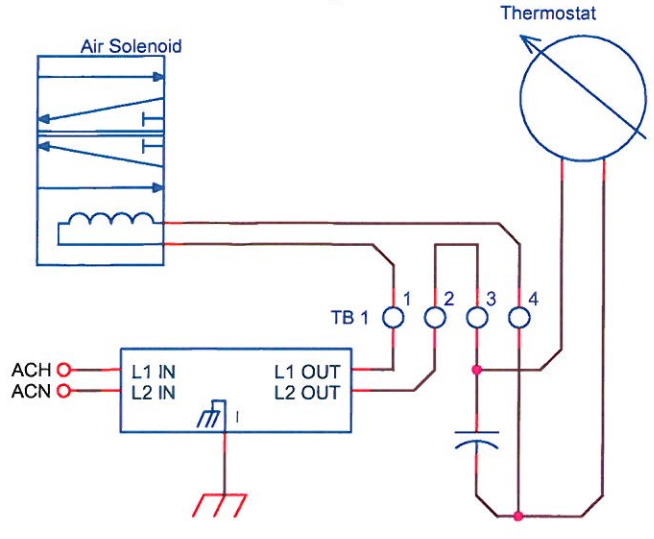


**Vortex Cooler Option**



Title		
BH Labeler A149		
Size	Document Number	Rev
B	A149	a
Date:	Wednesday, February 12, 2014	Sheet 1 of 1