

Safety Notes

! These photoelectric sensors may not be used in applications where personal safety depends on proper function of the devices (not safety designed per EU machine guideline). Read these operating instructions carefully before putting the device into service.

CE The CE Marking confirms that our products conform to the EC Directives 2004/108/EEC (EMC) and the EMC Law.

In our EMC Laboratory, which is accredited by the DAtech for Testing of Electromagnetic Compatibility, proof has been documented that these Balluff products meet the EMC requirements of the harmonized standard EN 60947-5-2.

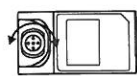
Installation

The sensor can be mounted using the through-holes (ø 3.5 mm) or the M5 tapped holes (max. depth 6 mm).
Caution: Excessively long screws may damage the sensor.

To change the reading direction (lateral or frontal), exchange the lens with the cover cap.



If the material is very shiny (i.e. plastic or metal plate) it is advisable to tilt the reading material that has to be read and to the direction of its movement.



The connector block can be locked in 5 various positions.

Connections

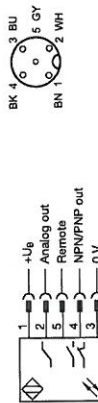


Fig. 1: Wiring diagram, pin configuration

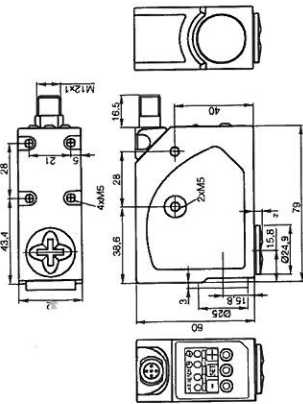
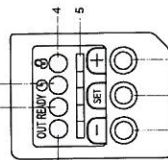


Fig. 2: Dimensions

Indicators and keys



- 1 **Yellow LED OUT**
Output function indicator LED on: Output active
- 2 **Green LED READY**
Power indicator LED on: Sensor ready LED blinks: Output overload
- 3 **Orange LED DELAY**
Time delay indicator LED on: Time delay is enabled LED off: Time delay is disabled.
- 4 **Orange LED KEYLOCK**
Indicates key status LED on: Keys enabled and operable LED off: Keys locked
- PNP or NPN setting result indication LED blinks 1x: PNP output is set. LED blinks 2x: NPN output is set.
- 5 **Segment display (Bagraph)**
Displays switching threshold level
- 6 **+key**
Raises switching threshold incrementally.
- 7 **SET key**
Used for acquiring the mark and background.
- 8 **-key**
Reduces switching threshold incrementally.

Operational and Error indication

Green LED Off	Function/Error
On	Data are being read
Fast blinking	Settings correct, sensor is ready
Slow blinking	Output short circuit or output current exceeded
Slow blinking	The settings or the acquisition of data are incorrect, the sensor is not operative. Causes: <ul style="list-style-type: none"> - The contrast between the mark and the background is insufficient - The acquisition of the new mark or of the new background is incorrect or not stored.

Enabling the keys

The keys are disabled after the sensor is turned on. This protects the settings. To enable the keys:

- 1. Hold down the SET key for 5 s until the orange KEYLOCK LED turns on.

Note:

The keys are automatically disabled after 2 minutes of inactivity (no keys pressed during that time).

Setting reading mode (Teach in)

During the setup procedure the sensor adjusts automatically the optimum combination of red, green or blue emission, dark/light function and switching threshold:

- The light emission is set to red, green or blue to maximize the contrast between the mark and the background reading.
- The dark or light function is selected on the basis of the reading of a darker or lighter mark with respect to the background.
- The switching threshold is set halfway between the acquired mark and background values.

1. Place the mark under the light spot and don't move the mark for a few seconds while reading is taking place.
2. Press the SET key until the green LED turns off. The sensor acquires the mark alternating the red, green and blue emission until the most effective emission combination is achieved.
3. Place the background under the light spot and don't move the mark for a few seconds until the emission color is stable.
4. Press the SET key. The green LED blinks on briefly. The sensor acquires the background alternating the red, green and blue emission.
5. The green LED continuously on indicates the mark and background acquisition was correct and the sensor is ready. If the green LED blinks slowly, the contrast difference is insufficient. To restore the previous setting, press the SET key again.

Turning time delay (DELAY) on/off

Standard configuration (factory setting): Output delay off.
 To enable slower sensor interfaces to detect shorter pulses as well, turn on the output delay. This increases the minimum length of the output signal to 20 ms.

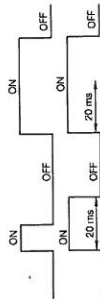


Fig. 3: Output without and with delay

Turning on the output delay

1. Press **+** and **-** contemporaneously for 2 sec. until the Delay LED turns on.

Turning off the output delay

1. Press **+** and **-** contemporaneously for 2 sec. until the Delay LED turns off.

Selecting light-on or dark-on

The sensor automatically selects light-on or dark-on switching during setup.

Light-on:

For dark background and light marking.

Dark-on:

For light background and dark marking.

Setting the switching threshold manually

The switching threshold can be adjusted to the application. The blinking pattern on the segment display indicates by how much the switching threshold deviates from the threshold output value.

1. Press the **+** or **-** key:
 The first 3 LEDs from the left turn on.
2. To increase the switching threshold, press the **+** key multiple times. The segment display moves to the right.
 To reduce the threshold value, press the **-** key multiple times. The segment display moves to the left.
3. To store the current threshold value, press the SET key or wait 30 s.

Setting PNP or NPN output

Standard configuration (factory setting): PNP

- To change, hold down the + and - keys together for 10 s.
If the time delay is enabled, the DELAY LED will go out after 2 s and come on again after 10 s.
This completes the change.
If the time delay is disabled, the DELAY LED will come on after 2 s and go off again after 10 s.
This completes the change.
- Do not release the keys until the DELAY LED has responded as described under step 1.
The KEYLOCK LED indicates the setting:
1x flashing: PNP output active
2x flashing: NPN output active

Setting Remote control (REMOTE SET)

With remote control enabled, the SET key is disabled. The SET function is triggered by a signal applied to Pin 5 (Fig. 3).

- SET functions using the Remote cable:
- "Press SET key" function: Connect cable to 10...30 VDC.
 - "Do not press SET key" function: Connect cable to 0 V DC or leave unconnected.



Fig. 4: Acquiring mark and background via REMOTE

Detection diagrams

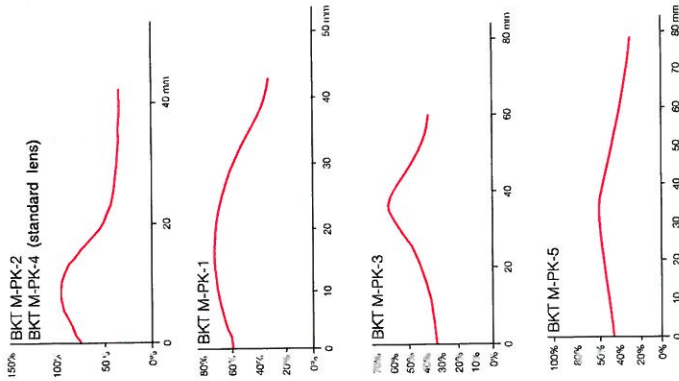


Fig. 5: Relative sensitivity as a function of object distance

Technical Data

Optical		
Range with standard lens	9 mm	
Depth of field with standard lens	38 mm	
with standard lens		
Recommended range	9...35 mm	
with standard lens		
Light spot dimension	≤ 1.5 x 5 mm	
Light type (autom. selected)	blue (465 nm)	
	green (620 nm)	
	red (630 nm)	
Electrical		
Operating voltage V_s	10...30 V DC	
Ripple	≤ 2 V	
No-load current I_0	≤ 85 mA	
Effective operating current I_e	100 mA	
Effective operating voltage V_e	24 V DC	
Voltage drop V_d at I_e	≤ 2 V	
Output selectable	PNP/NPN, N.O./N.C.	
Short circuit protected	yes	
Reverse polarity protected	yes	
Light-on/dark-on switching	automatic	
Data retention	EEPROM	
Analog Output		
Voltage proportional to the signal received	1...3 V ± 10% max. 5.5 V	
on white 90% reflective	3 V	
Output resistance R_a	2.2 kΩ	
Impedance	2.2 kΩ	
Mechanical		
Connector	M12, 5-pin	
Housing material	Al	
Active surface material	Glass	
Degree of contamination	3	
Weight	170 g	
Indicators		
Output function indicator	yellow LED OUT	
Power indicator	green LED READY	
Delay indicator Ⓢ	orange LED	
Keylock indicator Ⓢ	orange LED	
Switching threshold display	Bargraph	
Time Data		
Switching frequency f at V_e	20 kHz	
Turn-on delay t_{on}	≤ 25 μs	
Turn-off delay t_{off}	≤ 25 μs	
Output delay selectable	20 ms	
Power-on delay t_r	≤ 300 ms	
Ambient		
Ambient temperature T_a	-10 to +55 °C	
Storage temperature	-20 to +70 °C	
Enclosure rating per IEC 60529	IP 67	
Protection class	II	
Ambient light rejection	per EN 60947-5-2	

Balluff GmbH
Schurwaldstrasse 9
73765 Neuhausen a.d.F.
Germany
Phone +49 7188 173-0
Fax +49 7188 5010
balluff@balluff.de
www.balluff.com